

# BOARD & BATTEN

## SIDING



INSTALLED WITH  
HIDDEN FASTENER SYSTEM



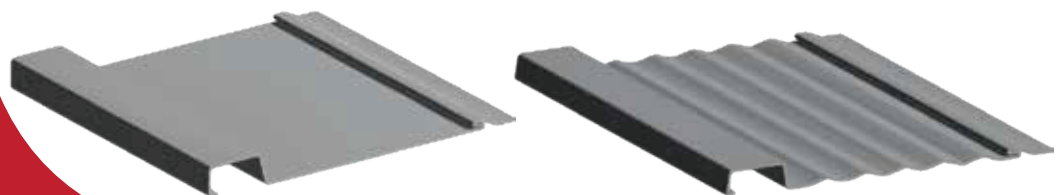
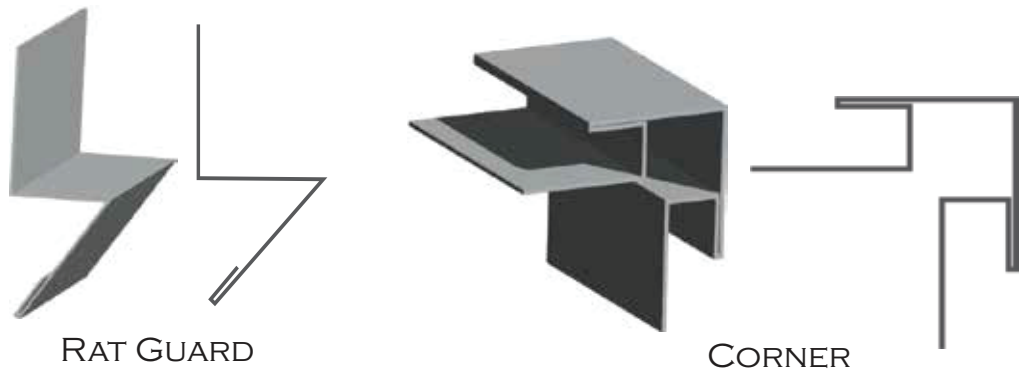
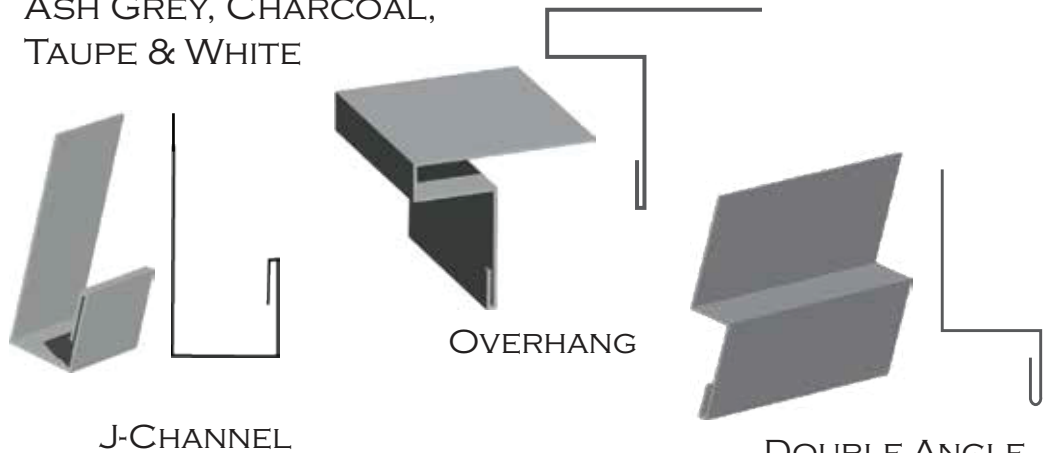
# BOARD & BATTEN

## TRIM

26 GAUGE TEXTURED AND SLICK  
FINISH AVAILABLE

### COLORS

ASH GREY, CHARCOAL,  
TAUPE & WHITE

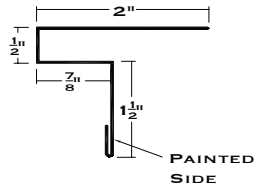


PANELS AVAILABLE WITH OR  
WITHOUT STRIATIONS

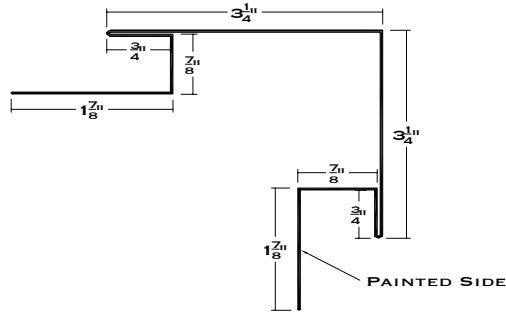
# BOARD AND BATTEN TRIM PROFILES



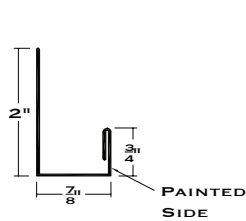
\*SPECIAL BENT TRIM AVAILABLE  
UPON REQUEST



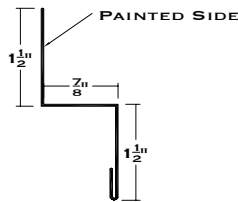
OVERHANG TRIM



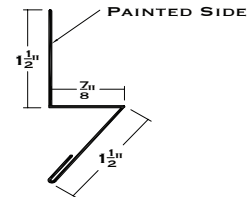
CORNER TRIM



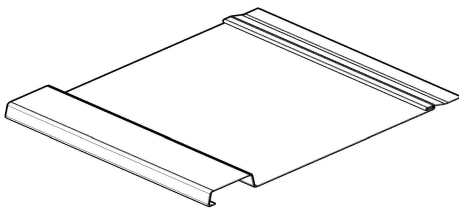
J-CHANNEL



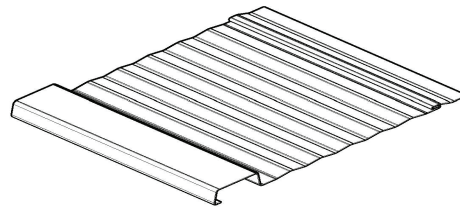
DOUBLE ANGLE



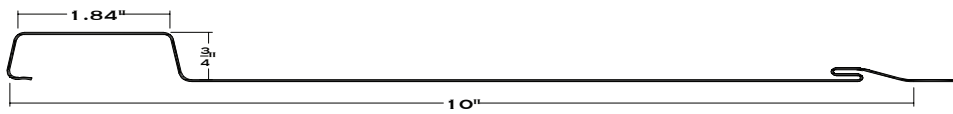
RAT GUARD



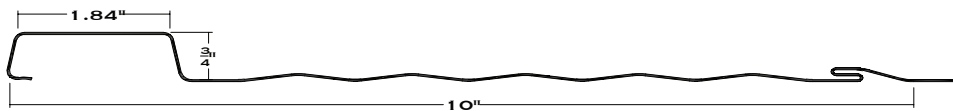
PANEL WITHOUT STRIATIONS



PANEL WITH STRIATIONS



**BOARD AND BATTEN PANEL - WITHOUT STRIATIONS**  
(PANEL ORDERED AND CUT TO LENGTH)



**BOARD AND BATTEN PANEL - WITH STRIATIONS**  
(PANEL ORDERED AND CUT TO LENGTH)

